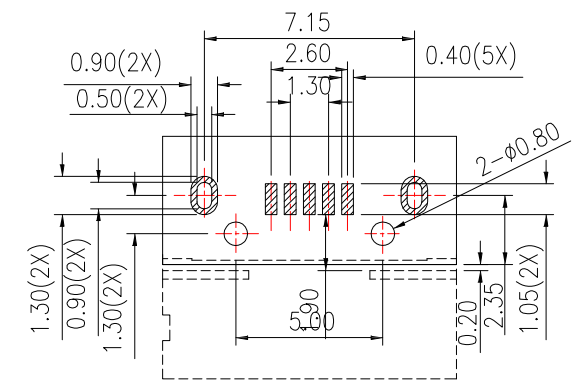
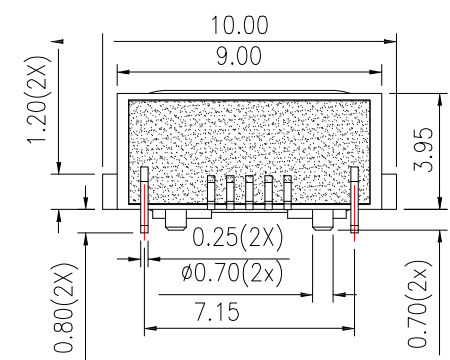
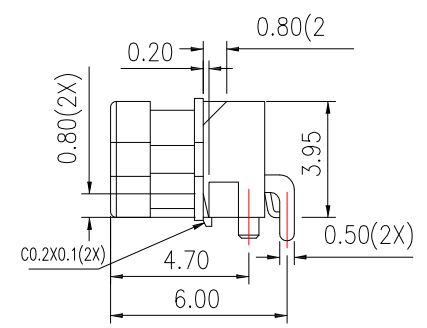
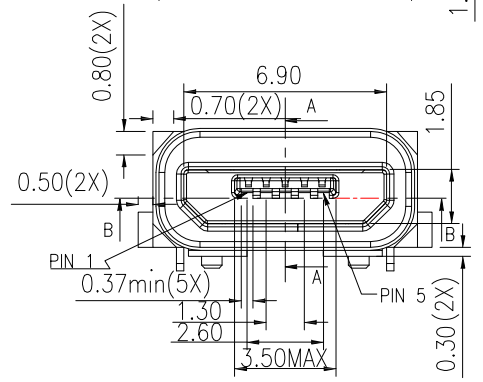
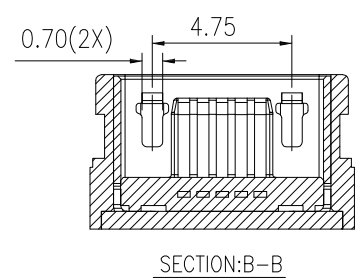
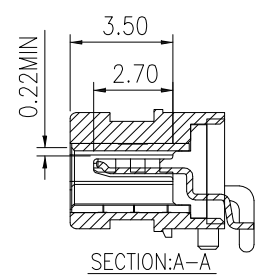
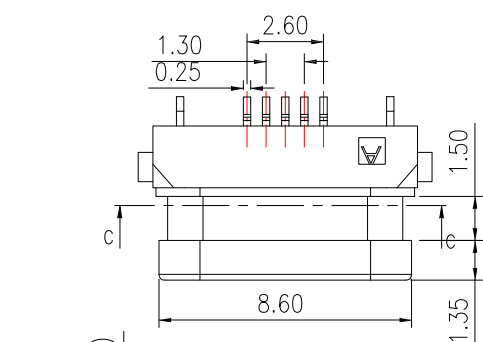


IPX7

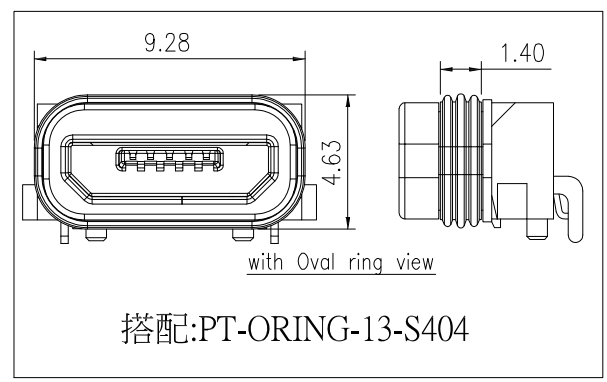
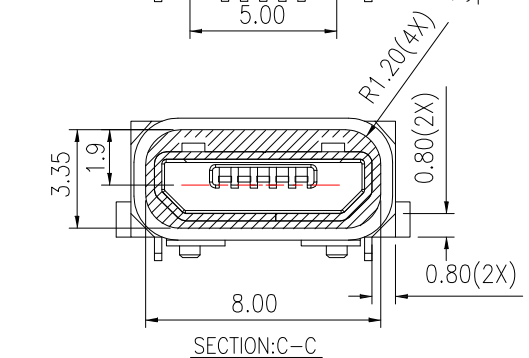
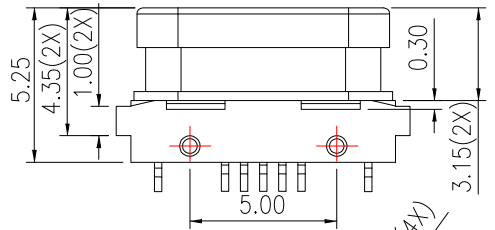


P.C.B LAYOUT MOUNTING PATTERN

MRUSB-5B-WP17-x-S404

鍍層厚度:

Blank : 1u"
2 : 15u"
3 : 30u"



搭配:PT-ORING-13-S404

- NOTES:
- MATERIAL:
- 1.1 HOUSING: PA9T
 - 1.2 CONTACT: COPPER ALLOY
 - 1.3 SHELL: SUS
- FINISH:
- 2.1 CONTACT: PLATED GOLD IN MATING AREA ;
TIN PLATED ON SOLDER BALLS ;
NICKEL UNDER PLATED OVERALL
 - 2.2 SHELL: NICKEL UNDER PLATED SURFACE LAYER
- 3.SPECIFICATION:
- 3.1 RATING: 1.8A(PIN1&5) , 0.5A(PIN2&3&4)
 - 3.2 DIELECTRIC WITHSSTANDING VOLTAGE: 300 VAC
 - 3.3 CONTACT RESISTANCE: 30 mΩ MAX.
 - 3.4 INSULATION RESISTANCE: 100 MΩ MIN.

CONTACT 建倚科技股份有限公司
CONTACT TECHNOLOGY CORP.

TOLERANCE UNLESS OTHERWISE STATED:	Up to 5 ±0.2	Above 5 ~ 15 ±0.3	Above 15 ~ 30 ±0.4	Above 30 ~ 50 ±0.5	Angle ±0.3°
	3RD. ANGEL'S	UNITS	MM		

DRAWN BY:	DATE	MAT'L	TITLE	CONNECTOR
Jack Lu	07/22/20		MODLE	MICRO USB 5PF B TYPE H 3.95 防水型 IPX7
CHECKED BY:	DATE	SCALE	DWG NO.	MRUSB-5B-WP17-x-S404
Jacky Chen	07/22/20	1 : 1	PART NO.	MRUSB-5B-WP17-x-S404
APPROVED BY:	DATE	SHEET NO.		
Tony Kao	07/22/20	1 of 2		
				SIZE A4
				VER R

ITEM NO.	DESCRIPTION	DRAWN	DATE